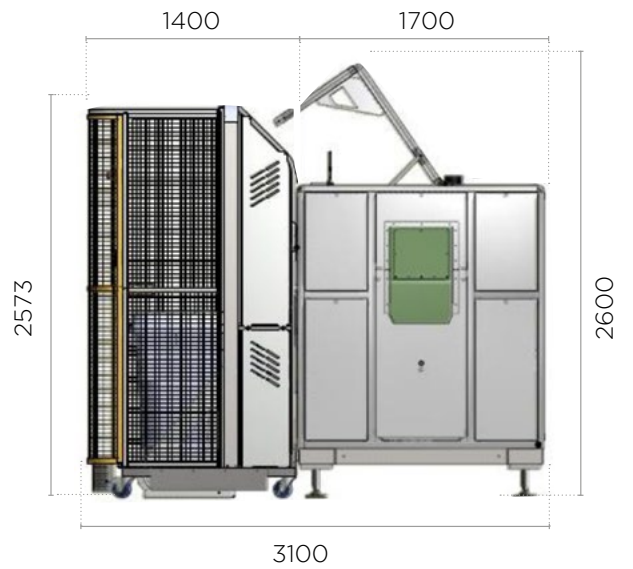
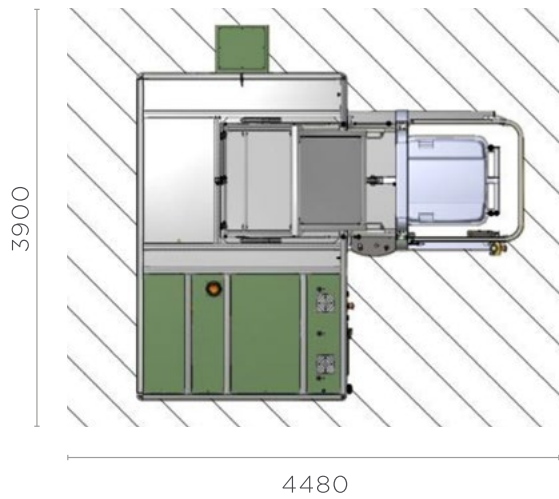


**Front View** Hatch fully opened and bin lifter presented



**Side View** Hatch fully opened



**Plan View** of required working area



Dimensions (L, D, H)	3316 x 1700 x 2600	mm
Dimensions Inc Bin Lifter (L, D, H)	3630 x 3100 x 2600	mm
Maximum Loading Door Height	must have bin lifter 2600	mm
Working Area	must have bin lifter 4320 x 4500	mm
Machine Weight	3690	kgs
Maximum Drum Capacity	1000	kgs
Total Loaded Weight	4690	kgs
Power Supply	50 amp 3-phase circuit, hardwired	
IP Rating	54	
Noise Level	<85	dba
Air Outlet	150mm ID	mm
Comms Requirement	Network or Wifi	

## Machine Specifications

*Specifications, appearance and equipment are subject to change without notice by reason of improvement. Hazard prevention measures have been removed from the photos featured in this document.*



**To ensure safe operation, please consult the operator's manual before use.**